



### Main

Range of product	Modicon Quantum automation platform
Product or component type	Analogue output module

### Complementary

Analogue output number	4
Addressing requirement	4 output words
Loop voltage	12...30 V DC
Voltage drop	30 V 20 mA
Analogue output range	4...20 mA 0...4096 counts, 12 bits bipolar current
Absolute accuracy error	+/- 0.20 % of full scale at 25 °C
Linearity	+/- 1 LSB
Accuracy drift according to temperature	+/- 0.004 % of full scale/°C +/- 0.007 % of full scale/°C maximum
Isolation between channels	500 V 47...63 Hz AC 750 V for 1 minute DC
Update time	3 ms
Setting time	900 µs to +/- 0.1 % of the final value
Fault type	Open circuit 4...20 mA
Bus current requirement	480 mA
Power dissipation in W	<= 5.3 W
External power requirement	12...30 V
Marking	CE
Local signalling	4 LEDs green channel is turned on 4 LEDs red channel fault 1 LED green bus communication is present (Active) 1 LED red external fault
Module format	Standard
Product weight	0.3 kg

Disclaimer: This documentation is not intended as a substitute for and is not to be used for determining suitability or reliability of these products for specific user applications

## Environment

Product certifications	CUL FM Class 1 Division 2
Standards	CSA C22.2 No 142 UL 508
Resistance to electromagnetic fields	10 V/m 80...2000 MHz conforming to IEC 801-3
Ambient air temperature for operation	0...60 °C
Ambient air temperature for storage	-40...85 °C
Relative humidity	95 % without condensation
Operating altitude	<= 5000 m

## Offer Sustainability

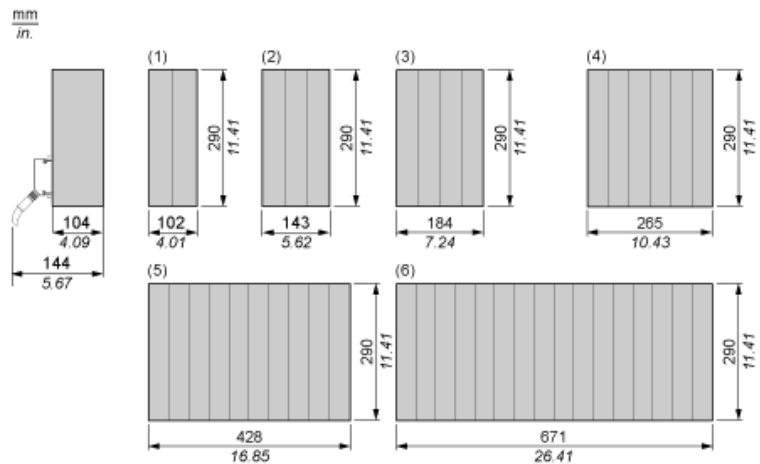
Sustainable offer status	Green Premium product
RoHS (date code: YYWW)	Compliant - since 0750 - Schneider Electric declaration of conformity <a href="#">Schneider Electric declaration of conformity</a>
REACH	Reference not containing SVHC above the threshold <a href="#">Reference not containing SVHC above the threshold</a>
Product environmental profile	Available <a href="#">End of life manual</a>
Product end of life instructions	Available

## Contractual warranty

Warranty period	18 months
-----------------	-----------

Racks for Modules Mounting

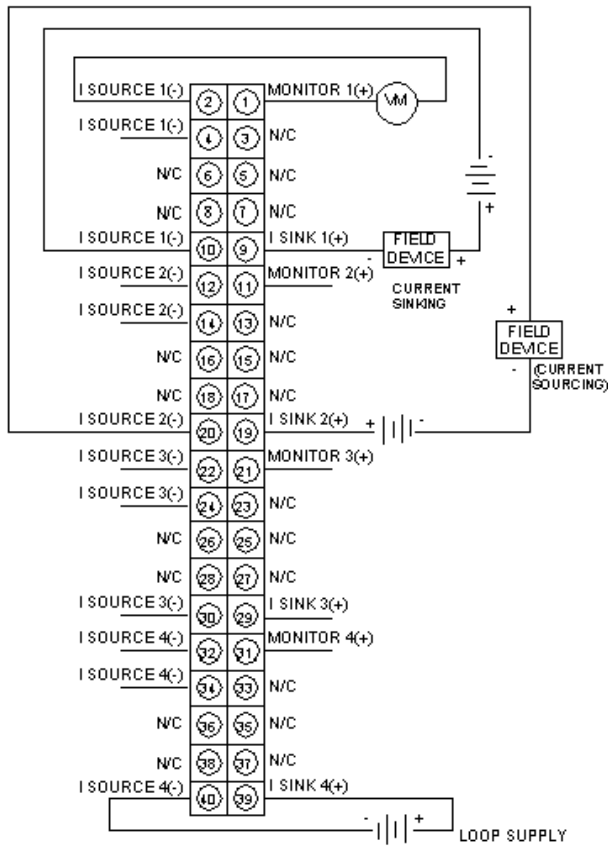
Dimensions of Modules and Racks



- (1) 2 slots
- (2) 3 slots
- (3) 4 slots
- (4) 6 slots
- (5) 10 slots
- (6) 16 slots

Analog Output 4-Channel Current Module

Wiring Diagram



N/C Not Connected