

Product availability : Stock - Normally stocked in distribution facility



Price\* : 873.00 USD



### Main

Range of product	Modicon Momentum automation platform
Product or component type	Discrete output base AC
Group of channels	2 groups of 8 outputs
Discrete output number	16
Discrete output type	Triac
Discrete output voltage	120 V AC
Current per channel	$\leq 0.5$ A
Short-circuit protection	Internal fuse, 5 A slow-blow per group
Protective treatment	TC

### Complementary

System Voltage	120 V AC
Discrete output current	4 A per group 8 A per module
Minimum output current	30 mA
Leakage current	1.9 mA 120 V AC
Surge current	10 A for 2 cycles 15 A for 1 cycle 5 A for 3 cycles
Voltage drop	$< 1.5$ V 0.5 A at state 1
Output overload protection	Internal fuse
Response time	$1/2 \times 1/f$ (= 0.5 of one line cycle) from state 0 to state 1 $1/2 \times 1/f$ (= 0.5 of one line cycle) from state 1 to state 0
Isolation between channels and bus	1780 V AC for 1 minute
Power dissipation	6 W typical 7.5 W maximum
Marking	CE

Local signalling	16 LEDs channel status
Current consumption	125 mA 120 V AC
Terminals description PLC n°1	(1)OUT_DIS#1 (10)OUT_DIS#10 (11)OUT_DIS#11 (12)OUT_DIS#12 (13)OUT_DIS#13 (14)OUT_DIS#14 (15)OUT_DIS#15 (16)OUT_DIS#16 (1L+)PW (1N)PW (2)OUT_DIS#2 (3)OUT_DIS#3 (4)OUT_DIS#4 (5)OUT_DIS#5 (6)OUT_DIS#6 (7)OUT_DIS#7 (8)OUT_DIS#8 (9)OUT_DIS#9 TB
Depth	1.87 in (47.5 mm)
Height	5.57 in (141.5 mm)
Width	4.92 in (125 mm)
Product weight	0.63 lb(US) (0.284 kg)

## Environment

Product certifications	CSA FM Class 1 Division 2 UL
Resistance to electrostatic discharge	4 kV contact IEC 801-2 8 kV on air IEC 801-2
Resistance to electromagnetic fields	9.14 V/yd (10 V/m) 80...1000 MHz IEC 801-3
Ambient air temperature for operation	32...140 °F (0...60 °C)
Ambient air temperature for storage	-40...185 °F (-40...85 °C)
Relative humidity	95 % without condensation
Operating altitude	<= 16404.2 ft (5000 m)

## Ordering and shipping details

Category	18206 - MOMENTUM PROCESSORS,I/O BASES,CONN.
Discount Schedule	PC31
GTIN	00785901308010
Nbr. of units in pkg.	1
Package weight(Lbs)	1.0900000000000001
Returnability	Y
Country of origin	ID

## Offer Sustainability

Sustainable offer status	Green Premium product
RoHS (date code: YYWW)	Compliant - since 1350 - Schneider Electric declaration of conformity <a href="#">Schneider Electric declaration of conformity</a>
REACH	Reference not containing SVHC above the threshold <a href="#">Reference not containing SVHC above the threshold</a>
Product environmental profile	Available
Product end of life instructions	Available
California proposition 65	WARNING: This product can expose you to chemicals including:
----- Substance 1	Lead and lead compounds, which is known to the State of California to cause cancer and birth defects or other reproductive harm.

---

----- More information

For more information go to [www.p65warnings.ca.gov](http://www.p65warnings.ca.gov)

---

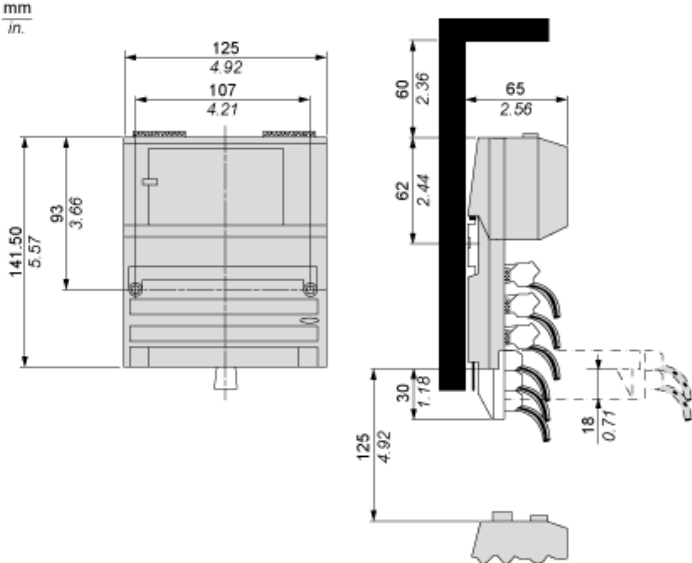
### Contractual warranty

---

Warranty period	18 months
-----------------	-----------

---

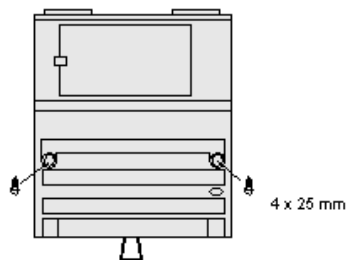
Standard Adapter on a Discrete VAC Base



---

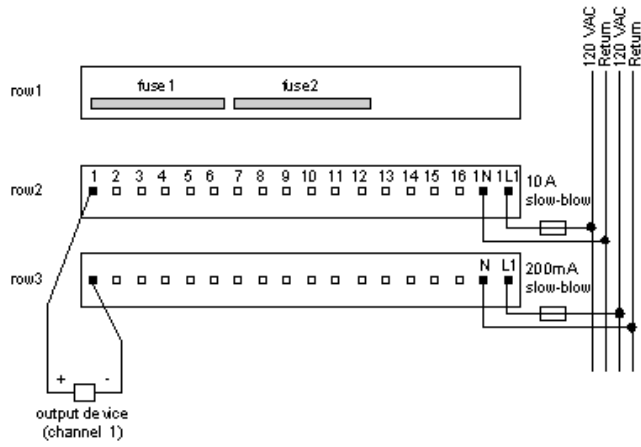
Mounting on a Wall

---

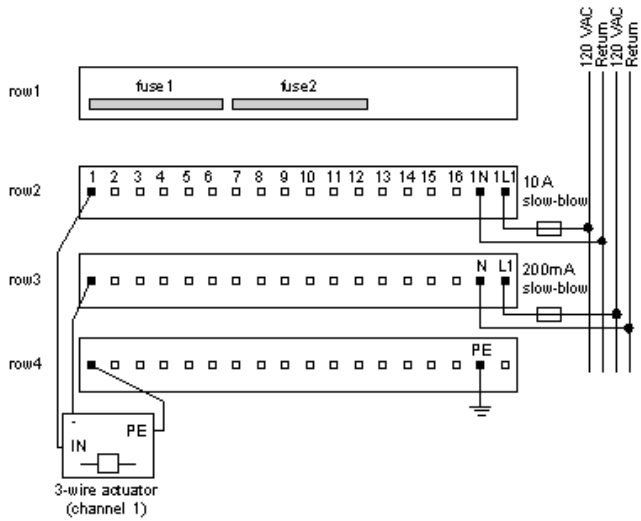


External Wiring Diagrams

2-Wire Device



3-Wire Device



---

### Internal Pin Connections

---

Rows 1 through 3 show the internal connections between terminals on the I/O base. Row 4 shows the internal connections on the optional busbar.

