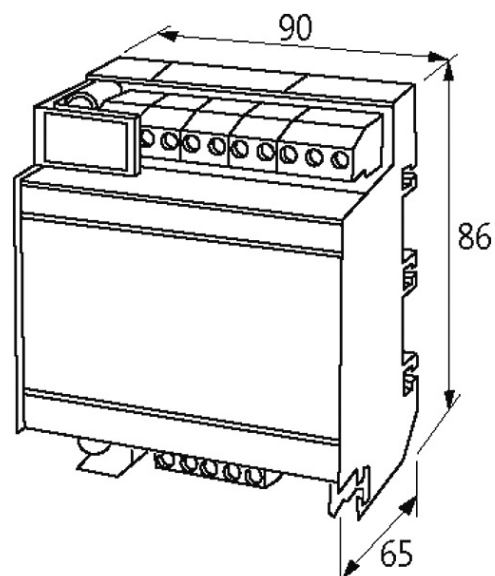


A/D-CONVERTER 10-BIT - INPUT 0 ... 10V

IN: 0-10 VDC - OUT: 10 Bit

A/D converter
10 Bit
0...10 V

Input and output galvanically separated

[Link to Product](#)**Illustration**

Product may differ from Image

Input	
Input current	type dependent
Input signal	type dependent
Technical data	
Operating voltage	2 × 21...30 V DC, smoothed (with LED)
Operating current	60 mA (idle load) plus max. 100 mA per digital output
Tolerance	±1 LSB
Conversion time	80 ms, (6 Bit adjustable 2.5...150 ms)
Release input E	log 1 ≥ 16 V, log 0 ≤ 6 V
General data	
Test isolation voltage	2.5 kV
Mounting method	DIN-rail mountable (EN 60715)
Temperature range	0...+85 °C
Dimensions H × W × D	62×86×90 mm
Output	
Output current	100 mA/Bit, with LED
Description	
Functional description	On modules with voltage inputs, it is possible to set the maximum input signal using a trimmer. The output "POL" indicates the polarity. A voltage output U _{out} 15 V/20 mA (minimal ripple) can be used as a power supply for the analog output device. The hold
Commercial data	
country of origin	CZ
customs tariff number	85437090
EAN	4048879028660
eClass	27210990
Packaging unit	1