

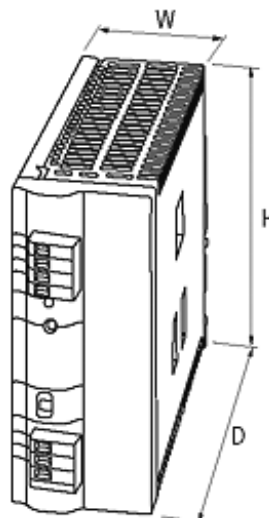
ECO-RAIL POWER SUPPLY 1-PHASE,

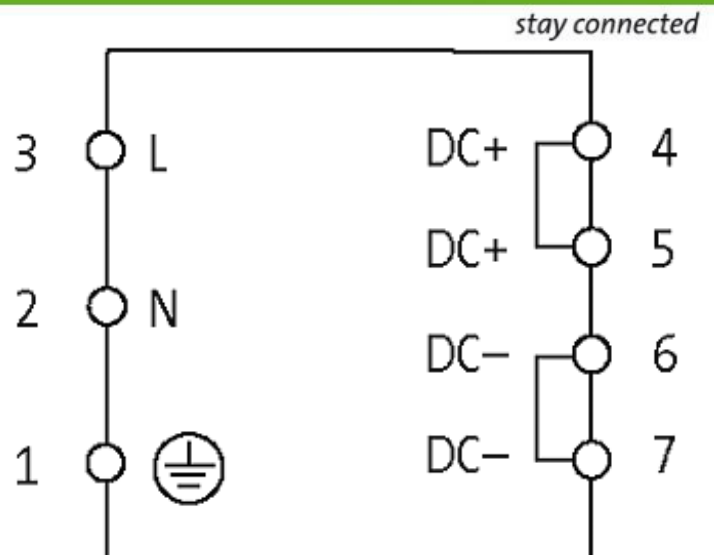
IN: 90-132 VAC/173-264 VAC OUT: 24V/5ADC

INPUT: 90...132 V AC/173...264 V AC

OUTPUT: 24 V DC

Current: 5 A

[Link to Product](#)**Illustration**



Product may differ from Image

Approvals



Input

Input voltage	90...132 V AC/173...264 V AC
Input current	2.3 A (115 V AC); 1.2 A (230 V AC)
Inrush current after 1 ms	max. 20 A
Primary fusing external	max. 20 A
Frequency	50...60 Hz

General data

Standards	EN 60950-1, EN 61204-3, EN 55022 B, EN 61000-3-2
Mounting method	DIN-rail mountable TH35 (EN 60715)
Efficiency	84% (115 V AC); 86% (230 V AC)
Relative humidity	20...90%, no condensation
Dimensions H x W x D	125x50x125 mm
Temperature range	0...+40 °C, ...+50 °C derating (storage temperature -20...+85 °C)

Output

Output voltage	24 V DC \pm 1%
Output current	5 A (+40 °C); 4 A (+55 °C)
Mains failure bridging time	min. 40 ms (115 V AC); min. 40 ms (230 V AC)
Ripple	max. 20 mVrms
Unit protection	Short-circuit and overload protected
Spikes	max. 60 mV p-p
LED display	LED (green) for output voltage
Parallel usage/serial usage	no/yes (max. 2 units)

Commercial data

country of origin	CN
customs tariff number	85044090
EAN	4048879080163
eClass	27049002
Packaging unit	1