



Main

| | |
|------------------------------|--|
| Range of product | Modicon STB distributed I/O solution |
| Product or component type | Basic digital output kit |
| Kit composition | STBDDO3705 module STBXBA3000 base STBXTS2180, 18-terminal spring clamp connector |
| Discrete output number | 16 |
| Discrete output type | Solid state |
| Discrete output voltage | 24 V |
| Discrete output voltage type | DC |

Complementary

| | |
|---|--|
| Discrete output current | 500 mA |
| Discrete output logic | Positive |
| Output voltage | 19.2...30 V DC |
| Absolute maximum voltage | 35 V 1.3 ms |
| Response time | 2 ms off-to-on 2 ms on-to-off |
| Cold swapping | Yes |
| Hot swapping fallback | No for basic NIMs |
| Protection type | Reverse polarity protection Short-circuit protection Thermal overload protection Power protection integrated fuse on PDM time lag 5 A |
| Insulation between channels and logic bus | 1500 V for 1 minute |
| Leakage current | ≤ 0.4 mA at state 0 30 V |
| Load capacitance | ≤ 10 μ F |
| Load inductance | ≤ 1000 mH 4 Hz |
| Reset | Manual reset COM fault |
| Product compatibility | I/O base STBXBA3000 Power distribution module STBPDT3100/3105 |

| | |
|---------------------------|---|
| [Us] rated supply voltage | 24 V DC |
| Supply | Power distribution module |
| Current consumption | 135 mA 5 V DC logic bus |
| Marking | CE |
| Overvoltage category | II |
| Status LED | 1 LED green module status (RDY) 1 LED per channel green channel status (OUT1 to OUT16) |
| Height | 13.9 mm |
| Depth | 70 mm |
| Width | 128.3 mm |
| Product weight | 0.086 kg |

Environment

| | |
|---------------------------------------|--|
| Standards | EN/IEC 61131-2 |
| Product certifications | CSA FM Class 1 Division 2 UL |
| Pollution degree | 2 IEC 60664-1 |
| Operating altitude | <= 2000 m |
| IP degree of protection | IP20 EN 61131-2 class 1 |
| Ambient air temperature for operation | 0...60 °C without |
| Ambient air temperature for operation | 32...140 °F without |
| Ambient air temperature for storage | -40...85 °C without |
| Ambient air temperature for storage | -40...185 °F without |
| Relative humidity | 95 % 60 °C without condensation |
| Vibration resistance | +/-0.35 mm 10...58 Hz 3 gn 58...150 Hz 35 x 7.5 mm symmetrical DIN rail 5 gn 58...150 Hz 35 x 15 mm symmetrical DIN rail |
| Shock resistance | 30 gn 11 ms IEC 88 reference 2-27 |

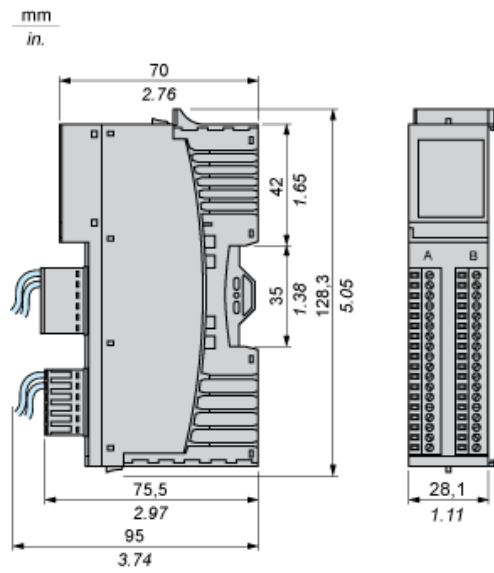
Offer Sustainability

| | |
|----------------------------------|---|
| Sustainable offer status | Green Premium product |
| RoHS (date code: YYWW) | Compliant - since 0811 - Schneider Electric declaration of conformity Schneider Electric declaration of conformity |
| REACH | Reference contains SVHC above the threshold - Go to CaP for more details Go to CaP for more details |
| Product environmental profile | Available Product environmental |
| Product end of life instructions | Available End of life manual |

Contractual warranty

| | |
|-----------------|-----------|
| Warranty period | 18 months |
|-----------------|-----------|

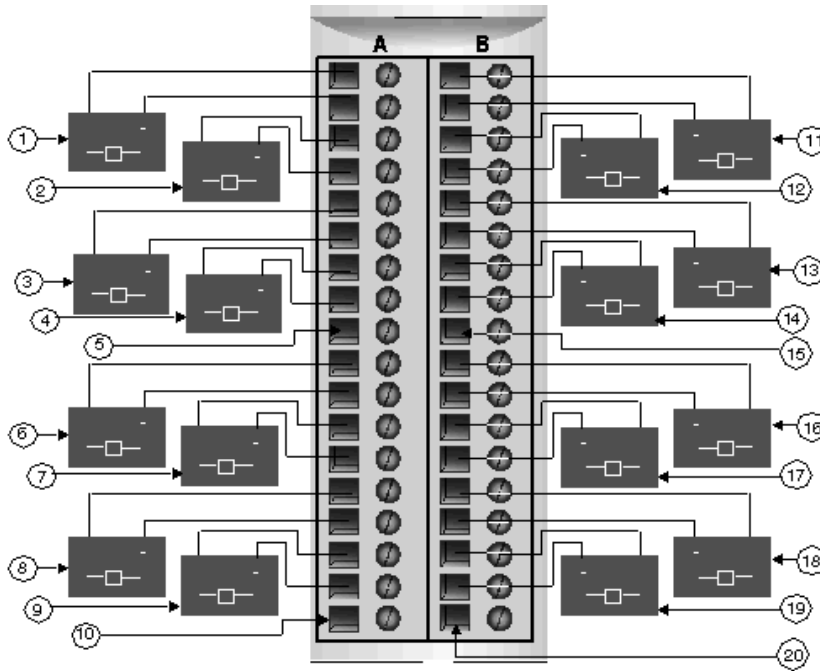
Dimensions



Wiring Diagram

Example

16 two-wire actuators



| # | Group 1 | # | Group 2 |
|----|----------------------------------|----|----------------------------------|
| 1 | Channel 1, Connector A, Actuator | 11 | Channel 1, Connector B, Actuator |
| 2 | Channel 2, Connector A, Actuator | 12 | Channel 2, Connector B, Actuator |
| 3 | Channel 3, Connector A, Actuator | 13 | Channel 3, Connector B, Actuator |
| 4 | Channel 4, Connector A, Actuator | 14 | Channel 4, Connector B, Actuator |
| 5 | Pin 9, Connector A (not used) | 15 | Pin 9, Connector B (not used) |
| 6 | Channel 5, Connector A, Actuator | 16 | Channel 5, Connector B, Actuator |
| 7 | Channel 6, Connector A, Actuator | 17 | Channel 6, Connector B, Actuator |
| 8 | Channel 7, Connector A, Actuator | 18 | Channel 7, Connector B, Actuator |
| 9 | Channel 8, Connector A, Actuator | 19 | Channel 8, Connector B, Actuator |
| 10 | Pin 18, Connector A (not used) | 20 | Pin 18, Connector B (not used) |