



### Main

|                           |                               |
|---------------------------|-------------------------------|
| Range of product          | Modicon M238 logic controller |
| Product or component type | Analog output module          |
| Analogue output number    | 2                             |
| Analogue output type      | Voltage +/- 10 V              |

### Complementary

|   |                                  |
|---|----------------------------------|
| Range compatibility                           | Advantys OTB<br>Twido            |
| Analogue output resolution                    | 11 bits + sign                   |
| LSB value                                     | +/- 9.8 mV voltage               |
| Load type                                     | Resistive                        |
| Load impedance ohmic                          | <= 3000 Ohm voltage              |
| Stabilisation time                            | 2 ms                             |
| Conversion time                               | 2 ms + 1 controller cycle time   |
| Measurement error                             | +/- 0.5 % of full scale 25 °C    |
| Temperature coefficient                       | +/-0.01 %FS/°C                   |
| Repeat accuracy                               | +/-0.1 %FS                       |
| Non-linearity                                 | +/- 0.2 %FS                      |
| Output ripple                                 | <= 1 LSB                         |
| Total error                                   | +/-1 %FS                         |
| Type of cable                                 | Twisted shielded cable           |
| Insulation between channel and internal logic | Photocoupler                     |
| Supply  | External supply                  |
| [Us] rated supply voltage                     | 24 V DC                          |
| Supply voltage limits                         | 19.2...30 V                      |
| Electrical connection                         | 1 removable screw terminal block |
| Current consumption                           | 60 mA 24 V DC external           |

Disclaimer: This documentation is not intended as a substitute for and is not to be used for determining suitability or reliability of these products for specific user applications

|                |                       |
|----------------|-----------------------|
|                | 60 mA 5 V DC internal |
| Product weight | 0.085 kg              |

## Environment

|                     |   |
|---------------------|---|
| Dielectric strength | 2500 V between the I/O and internal logic |
| Width               | 23.5 mm                                   |
| Depth               | 70 mm                                     |
| Height              | 90 mm                                     |

## Offer Sustainability

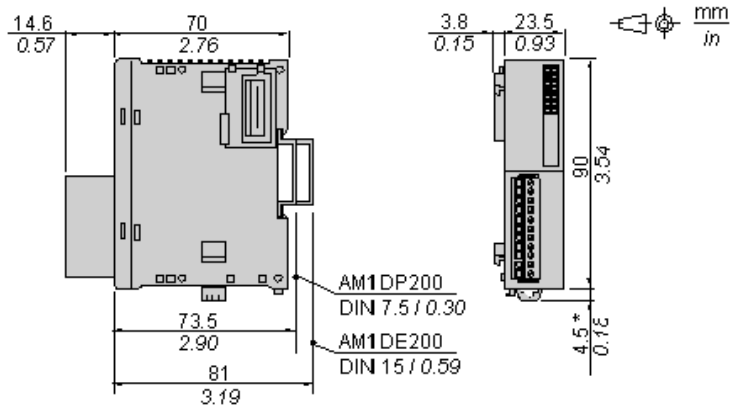
|                                  |   |
|----------------------------------|---|
| Sustainable offer status         | Green Premium product   |
| RoHS (date code: YYWW)           | Compliant - since 1039 - Schneider Electric declaration of conformity<br><a href="#">Schneider Electric declaration of conformity</a> |
| REACH                            | Reference not containing SVHC above the threshold<br><a href="#">Reference not containing SVHC above the threshold</a>                |
| Product environmental profile    | Available<br><a href="#">Product Environmental Profile</a>  |
| Product end of life instructions | Available   |

## Contractual warranty

|                 |           |
|-----------------|-----------|
| Warranty period | 18 months |
|-----------------|-----------|

Analog Output Module (2-channel, Voltage)

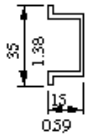
Dimensions



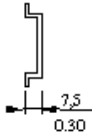
NOTE: \* 8.5 mm (0.33 in) when the clip-on lock is pulled out.

DIN Rail Mounting

AM1DE200  
 IEC/EN 60715



AM1DP200



AM1ED200



DZ5MB200

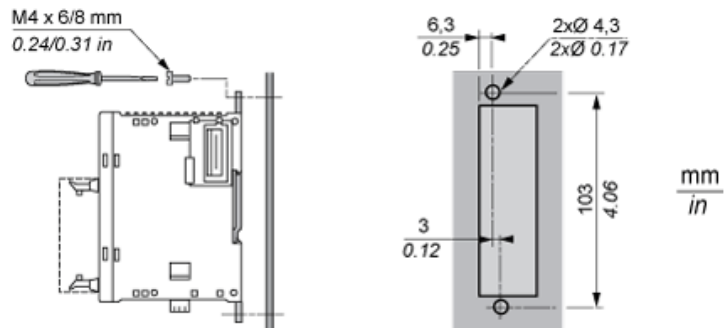


| Rail depth        | Catalogue part number |
|-------------------|-----------------------|
| 15 mm (0.59 in.)  | AM1DE200              |
| 7,5 mm (0.30 in.) | AM1DP200              |

NOTE: Do not use AM1ED200 and DZ5MB200

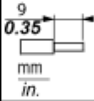

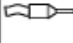
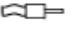




Module Mounting on a Panel Surface

Mounting Hole Layout



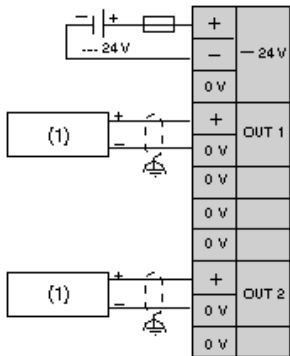
Wiring Requirements

Cable Types and Wire Sizes for Removable Screw Terminal Block

|   |   |   |   |   |   |   |   |
|---|---|---|---|---|---|---|---|
|  |  |  |  |  |  |  |  |
| mm <sup>2</sup>   | 0,14...1,5  | 0,25...0,5  | 0,25...1,5  | 0,14...0,5  | 0,14...0,75   | 0,25...0,34   | 0,5   |
| AWG   | 26...16   | 24...20   | 24...16   | 26...20   | 26...18   | 24...22   | 20  |

## Analog Output Module (2-channel, Voltage)

### Wiring Diagram



(1) Voltage/current preactuator