

Main

Range of product	Modicon TSX Micro automation platform
Product or component type	Discrete input module
Discrete input number	12 1 HE-10 connector
Discrete input voltage	24 V DC positive 19...30 V
Discrete input current	7 mA
Input voltage limits	≥ 11 V at state 1 < 5 V at state 0
Current state 0 guaranteed	≤ 2 mA
Current state 1 guaranteed	≥ 6 mA
Input impedance	3.4 Ohm
Response time	0.1...7.5 ms at state 0 to state 1 0.1...7.5 ms at state 1 to state 0

Complementary

Standards	IEC 1131-2 Type 2
Input compatibility	2/3-wire proximity sensors PNP/NPN
Discrete input type	Current sink
Current consumption	104 mA positive
Isolation voltage	1500 V AC 1 s

Environment

Product weight	0.16 kg
----------------	---------

Offer Sustainability

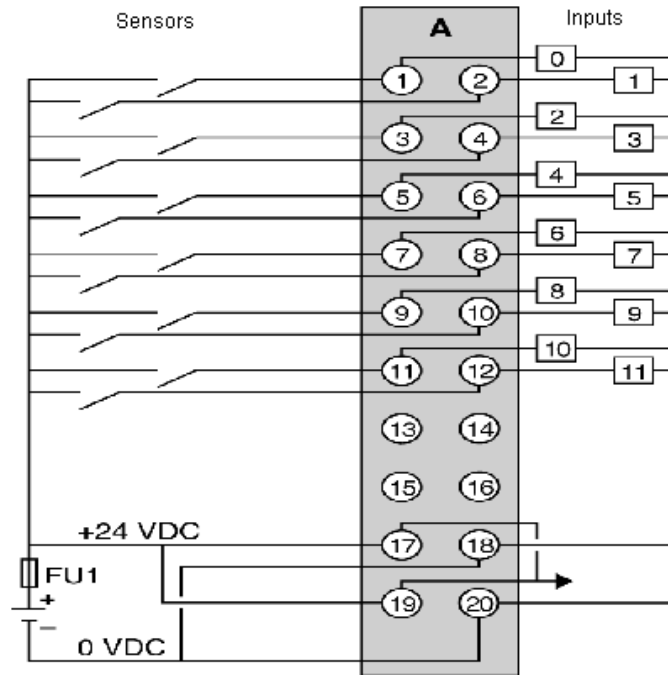
RoHS (date code: YYWW)	Will not be compliant Will not be compliant
------------------------	--

Contractual warranty

Warranty period	18 months
-----------------	-----------

Sensors/Inputs Connections

Wiring Diagram



FU1 = 0.5A fuse with rapid fusion.