



### Main

Range of product	Modicon TSX Micro automation platform
Product or component type	Discrete relay I/O base
Discrete input number	16 screw terminal block
Discrete input voltage	24 V DC negative
Discrete input current	9 mA

### Complementary

Input voltage limits	$\leq 8$ V at state 1
Current state 0 guaranteed	$\leq 1.5$ mA
Current state 1 guaranteed	$\geq 2.5$ mA
Input impedance	4 Ohm
Response time	0.1...7.5 ms input at state 0 to state 1 0.1...7.5 ms input at state 1 to state 0 < 10 ms output
Input compatibility	2-wire/3-wire proximity sensor
Load type	Resistive
Current consumption	160 mA positive 131 mA negative
Power dissipation in W	4.5 W
Output voltage limits	10...34 V DC 19...264 V AC
Contacts type and composition	NO
Power consumption in VA	50 VA 24 V AC-12 resistive 110 VA 48 V AC-12 resistive 220 VA 110 V AC-12 resistive 220 VA 220 V AC-12 resistive 24 VA 24 V AC-15 inductive 24 VA 48 V AC-15 inductive 220 VA 220 V AC-15 inductive 110 VA 110 V AC-15 inductive
Power consumption in W	40 W 24 V DC-12 resistive 24 W 24 V DC-13 inductive
Isolation voltage	1500 V 1 s
Insulation resistance	$\geq 10$ mOhm
Product weight	1.1 lb(US) (0.5 kg)

Disclaimer: This documentation is not intended as a substitute for and is not to be used for determining suitability or reliability of these products for specific user applications

## Environment

Standards	IEC 1131-2 Type 1
[Ith] conventional free air thermal current	3 A

## Ordering and shipping details

Category	22556 - TSX MICRO, PL7 MICRO & ACCESS
Discount Schedule	PC14
GTIN	00785901872061
Nbr. of units in pkg.	1
Package weight(Lbs)	1.29
Returnability	Y
Country of origin	FR

## Offer Sustainability

RoHS (date code: YYWW)	Will not be compliant Will not be compliant
Product environmental profile	Available

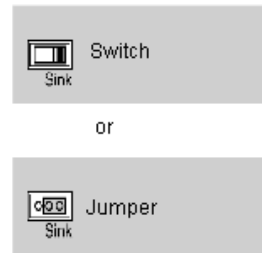
## Contractual warranty

Warranty period	18 months
-----------------	-----------

Sensors/Inputs and Actuators/Outputs Connections

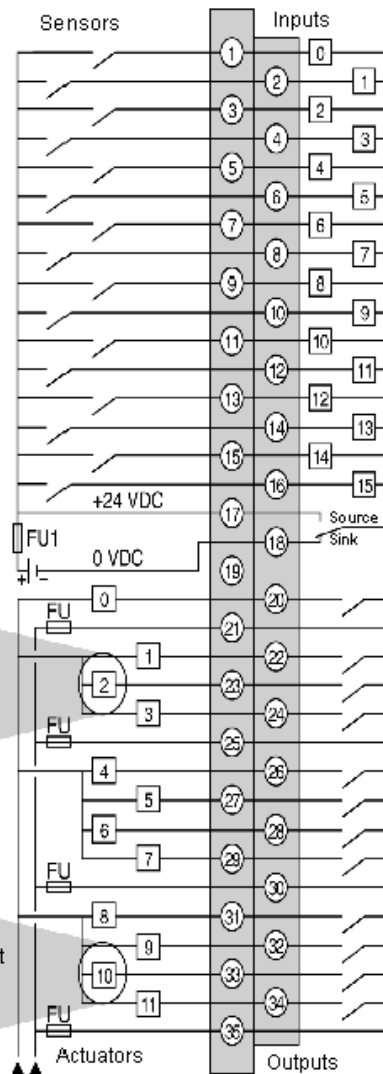
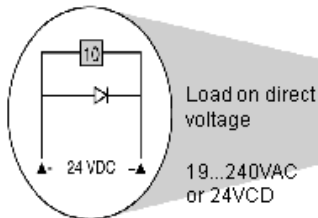
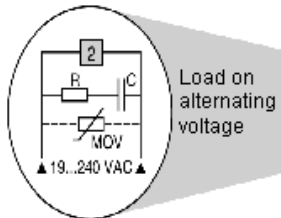
Wiring Diagrams

Positive logic input (Sink)



Inputs hardware configuration

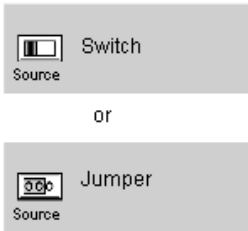
Mandatory protection to be fitted to the terminals of each actuator



FU1 = 0.5A fast-blow fuse.

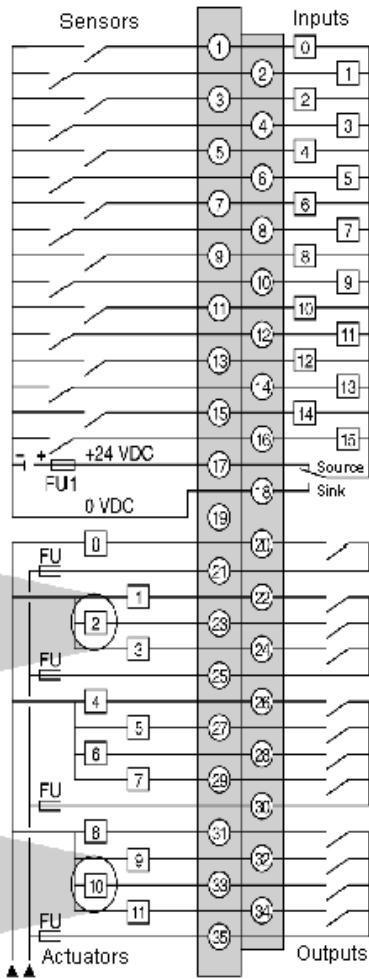
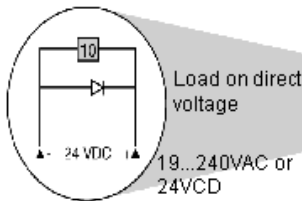
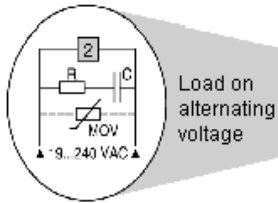
FU = Fast-blow fuses to be calibrated according to the load.

Negative logic input (Source)



Inputs hardware configuration

Mandatory protection to be fitted to the terminals of each actuator



FU1 = 0.5A fast-blow fuse.

FU = Fast-blow fuses to be calibrated according to the load