



### Main

Range of product	Modicon TSX Micro automation platform
Product or component type	Discrete solid state I/O base DC
Discrete input number	16 1 HE-10 connector
Discrete input voltage	24 V DC positive
Discrete input current	7 mA
Discrete input type	Resistive
Discrete output number	12 screw terminal block
Discrete output voltage	24 V DC
Discrete output current	0.5 mA
Discrete output logic	Positive

### Complementary

Input voltage limits	$\geq 11$ V at state 1 $< 5$ V at state 0
Current state 0 guaranteed	$\leq 1.5$ mA
Current state 1 guaranteed	$\geq 2.5$ mA
Input impedance	3.4 Ohm
Response time	$\leq 0.5$ ms from state 1 to state 0 output $\leq 0.5$ ms from state 0 to state 1 output 0.1...7.5 ms from state 1 to state 0 input 0.1...7.5 ms from state 0 to state 1 input
Input compatibility	2-wire/3-wire proximity sensor
Current consumption	132 mA
Power dissipation in W	3.5 W by module output 0.15 W by channel output 5 W input
Output voltage limits	19...30 V
Output current limits	0.625 A
Leakage current	$\leq 0.5$ mA at state 0
[Ures] residual voltage	$\leq 0.3$ V
Load impedance ohmic	48 Ohm
Switching frequency	$< 0.6/LI^2$ Hz
Output overvoltage protection	By zener diode

Disclaimer: This documentation is not intended as a substitute for and is not to be used for determining suitability or reliability of these products for specific user applications

Output short-circuit protection	By current limiter and electronic circuit breaker
Reverse polarity protection	Reverse diode on power supply
Paralleling of outputs	Yes : 2 maximum
Isolation voltage	1500 V 1 s
Product weight	0.425 kg

## Environment

Standards	IEC 1131-2 Type 1
-----------	-------------------

## Offer Sustainability

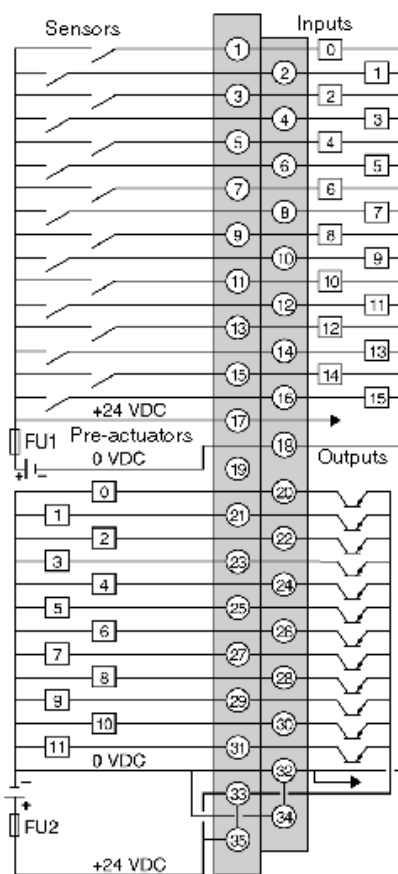
RoHS (date code: YYWW)	Will not be compliant Will not be compliant
Product environmental profile	Available

## Contractual warranty

Warranty period	18 months
-----------------	-----------

Sensors/Inputs and pre-Actuators/Outputs Connections

Wiring Diagram



FU1 = 0.5A fuse with rapid fusion.

FU2 = 6.3A fuse with rapid fusion.