

Product data sheet

Characteristics

TSXDSY16T2

discrete output module Modicon Premium - 16 O
solid state

Product availability : Stock - Normally stocked in distribution facility

Price* : 744.05 USD



Main

Range of product	Modicon Premium Automation platform
Product or component type	Discrete output module
Discrete output number	16
Discrete output type	Solid state protected
Discrete output voltage	24 V DC positive conforming to EN/IEC 61131-2 19...30 V
Discrete output current	0.5 A

Complementary

Current per channel	≤ 0.625 A
Current per module	≤ 7 A
Leakage current	< 0.5 mA at state 0
[Ures] residual voltage	< 1.2 V
Response time	1.2 ms
Switching frequency	$0.5/1I^2$ Hz
Output overvoltage protection	By transil diode
Reverse polarity protection	Reverse mounted diode
Output overload protection	Electronic tripping on reactivation
Short-circuit protection	Electronic tripping on reactivation
Preactuator voltage detection threshold	16 V
Load impedance	≥ 48 W
Isolation resistance	> 10 MOhm 500 V
Power dissipation	(1.1 W + 0.75 W x No of outputs x current per module)
Marking	CE
Electrical connection	Screw terminal block
Current consumption	80 mA 5 V DC
Module format	Standard
Product weight	0.75 lb(US) (0.34 kg)

Disclaimer: This documentation is not intended as a substitute for and is not to be used for determining suitability or reliability of these products for specific user applications

Environment

Dielectric strength	1500 V 50/60 Hz 60 s
Standards	73/23/EEC 89/336/EEC 92/31/EEC 93/68/EEC CSA C22.2 No 142 IEC 61131-2 UL 508 CSA C22.2 No 213 Class I Division 2 Group A CSA C22.2 No 213 Class I Division 2 Group B CSA C22.2 No 213 Class I Division 2 Group C CSA C22.2 No 213 Class I Division 2 Group D
Product certifications	ABS BV DNV GL LR RINA RMRS
Ambient air temperature for operation	32...140 °F (0...60 °C)
Ambient air temperature for storage	-13...158 °F (-25...70 °C)
Relative humidity	10...95 % without condensation for operation 5...95 % without condensation for storage
Operating altitude	0...6561.68 ft (0...2000 m)
Protective treatment	TC
IP degree of protection	IP20
Pollution degree	2

Ordering and shipping details

Category	22558 - TSX PREMIUM, ATRIUM & PL7 PRO
Discount Schedule	PC22
GTIN	00785901717607
Nbr. of units in pkg.	1
Package weight(Lbs)	1.01
Returnability	N
Country of origin	FR

Offer Sustainability

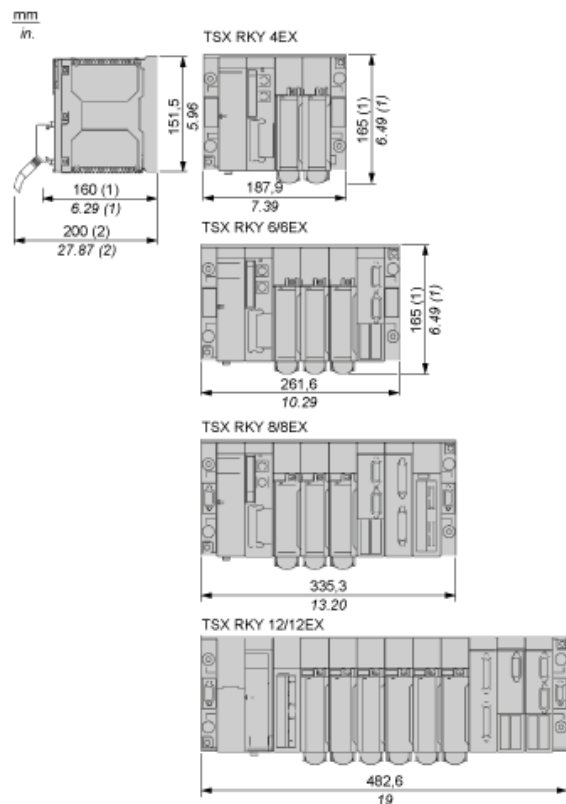
RoHS (date code: YYWW)	Compliant - since 0903 - Schneider Electric declaration of conformity Schneider Electric declaration of conformity
REACH	Reference not containing SVHC above the threshold Reference not containing SVHC above the threshold
Product end of life instructions	Need no specific recycling operations
California proposition 65	WARNING: This product can expose you to chemicals including:
- - - - - Substance 1	Lead and lead compounds which is known to the State of California to cause cancer and birth defects or other reproductive harm.
- - - - - More information	For more information go to www.p65warnings.ca.gov

Contractual warranty

Warranty period	18 months
-----------------	-----------

Standard and Extendable Racks for Modules Mounting

Dimensions of Modules and Racks

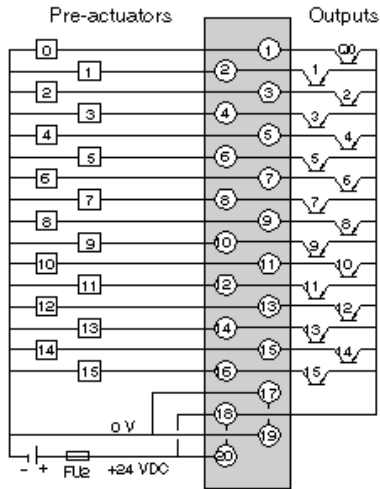


(1) With screw terminal block modules.

(2) Maximum depth for all types of modules and their associated connectors.

24 Vdc Discrete Transistor Output 16-Channel Module

Wiring Diagram



FU2 6.3 A quick-blow fuse