



Main

Range of product	Modicon Premium Automation platform
Product or component type	Discrete output module
Discrete output number	64
Discrete output type	Solid state protected
Discrete output voltage	24 V DC positive conforming to EN/IEC 61131-2 19...30 V

Complementary

Current per channel	≤ 0.1 A
Current per module	≤ 5 A
Leakage current	< 0.1 mA 30 V
Tungsten load	≤ 1.2 W
[Ures] residual voltage	< 1.5 V
Response time	1.2 ms
Paralleling of outputs	Yes : 3 maximum
Output overvoltage protection	By transil diode
Reverse polarity protection	Reverse mounted diode
Output overload protection	Automatic trip
Short-circuit protection	Automatic trip
Load impedance	> 220 W at state 1
Insulation resistance	> 10 MOhm 500 V
Power dissipation	(2.4 W + 0.1 W x No of outputs)
Product compatibility	Dial and Power
Marking	CE
Electrical connection	4 connectors HE-10
Current consumption	155 mA 5 V DC
Module format	Standard
Product weight	0.36 kg

Environment

Dielectric strength	1500 V 50/60 Hz 60 s
Standards	73/23/EEC

89/336/EEC
 92/31/EEC
 93/68/EEC
 CSA C22.2 No 142
 IEC 61131-2
 UL 508
 CSA C22.2 No 213 Class I Division 2 Group A
 CSA C22.2 No 213 Class I Division 2 Group B
 CSA C22.2 No 213 Class I Division 2 Group C
 CSA C22.2 No 213 Class I Division 2 Group D

Product certifications	ABS BV DNV GL LR RINA RMRS
Ambient air temperature for operation	0...60 °C
Ambient air temperature for storage	-25...70 °C
Relative humidity	10...95 % without condensation for operation 5...95 % without condensation for storage
Operating altitude	0...2000 m
Protective treatment	TC
IP degree of protection	IP20
Pollution degree	2

Offer Sustainability

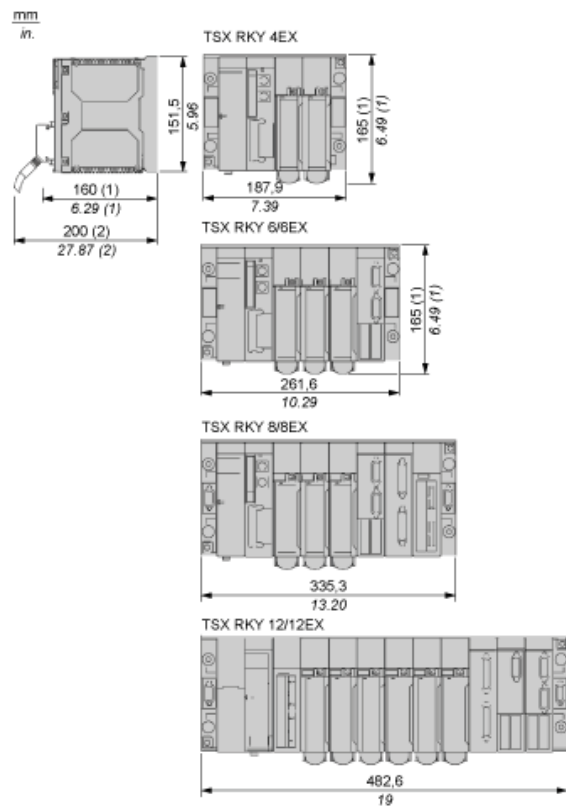
RoHS (date code: YYWW)	Compliant - since 0910 - Schneider Electric declaration of conformity Schneider Electric declaration of conformity
REACH	Reference not containing SVHC above the threshold Reference not containing SVHC above the threshold
Product end of life instructions	Need no specific recycling operations

Contractual warranty

Warranty period	18 months
-----------------	-----------

Standard and Extendable Racks for Modules Mounting

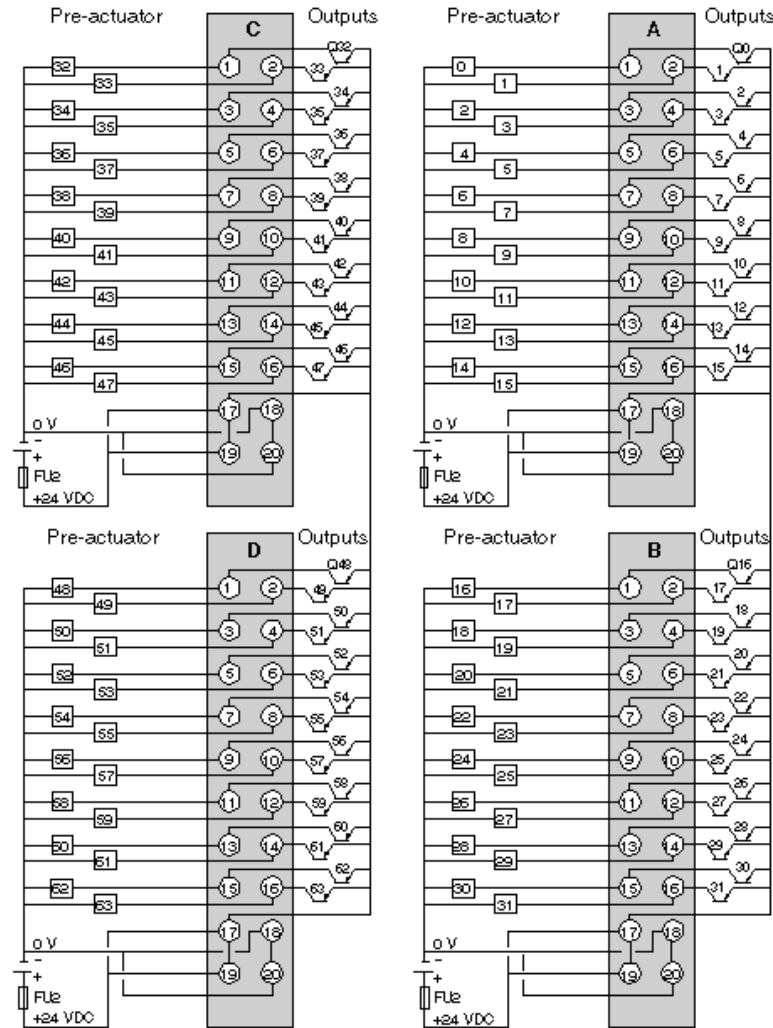
Dimensions of Modules and Racks



- (1) With screw terminal block modules.
- (2) Maximum depth for all types of modules and their associated connectors.

Discrete Transistor Output 64-Channel Module for Direct Current

Wiring Diagram



FU2 2 A quick-blow fuse.

NOTE: It is compulsory to connect:

- the + 24 VDC to terminals 17 and 19;
- the 0 V to terminals 18 and 20.