

Main

Range of product	Modicon TSX Micro automation platform
Product or component type	Relay discrete output module
Discrete output number	8 screw terminal block
Contacts type and composition	NO

Complementary

Output voltage limits	19...264 V AC 10...34 V DC
[I _{th}] conventional free air thermal current	3 A
Power consumption in VA	50 VA 24 V AC-12 resistive 110 VA 48 V AC-12 resistive 220 VA 110 V AC-12 resistive 220 VA 220 V AC-12 resistive 24 VA 24 V AC-15 inductive 24 VA 48 V AC-15 inductive 220 VA 220 V AC-15 inductive 110 VA 110 V AC-15 inductive
Power consumption in W	24 V DC-12 resistive 24 V DC-13 inductive
Response time	< 10 ms
Current consumption	85 mA
Power dissipation in W	1.5 W
Isolation voltage	1500 V 1 s
Insulation resistance	>= 10 mOhm

Offer Sustainability

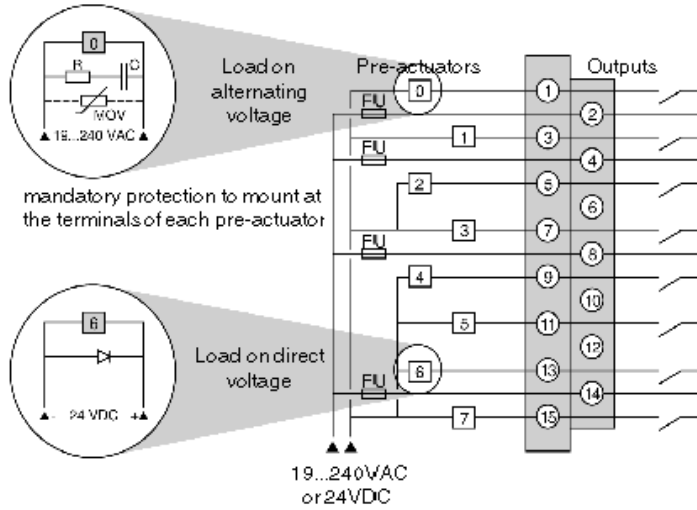
RoHS (date code: YYWW)	Will not be compliant Will not be compliant
------------------------	--

Contractual warranty

Warranty period	18 months
-----------------	-----------

Pre-Actuators/Outputs Connections

Wiring Diagram



FU = Fast blow fuses to be calibrated according to the load.