

Product data sheet

Characteristics

TWDLCDA24DRF

compact PLC base Twido - 24 V DC supply - 14 I
24 V DC - 10 O relay

Product availability : Stock - Normally stocked in distribution facility

Price* : 536.00 USD



Main

Range of product	Twido
Product or component type	Compact base controller
Discrete I/O number	24
Discrete input number	14
Discrete input voltage	24 V
Discrete input voltage type	DC
Discrete output number	10 relay
[Us] rated supply voltage	24 V DC
Number of I/O expansion module	4
Use of slot	Memory cartridge or realtime clock cartridge
Data backed up	Internal RAM (lithium) 30 days, charging time = 10 h, battery life = 10 yr
Integrated connection type	Non isolated serial link mini DIN, Modbus/character mode master/slave RTU/ASCII (RS485) half duplex, 38.4 kbit/s Power supply Serial link interface adaptor (RS232C/RS485)
Complementary function	Event processing PID

Complementary

Discrete input logic	Sink or source
Input voltage limits	20.4...28.8 V
Discrete input current	11 mA for I0.0 to I0.1 7 mA for I0.2 to I0.13
Input impedance	2100 Ohm for I0.0 to I0.1 3400 Ohm for I0.2 to I0.13
Filter time	150 μ s + programmed filter time for I0.6 to I0.13 at state 0 35 μ s + programmed filter time for I0.0 to I0.5 at state 1 40 μ s + programmed filter time for I0.6 to I0.13 at state 1 45 μ s + programmed filter time for I0.0 to I0.5 at state 0
Insulation between channel and internal logic	1500 Vrms for 1 minute
Insulation resistance between channel	None
Minimum load	0.1 mA

Contact resistance	<= 30000 µOhm
Load current	2 A at 240 V AC inductive load, operating rate = 30 cyc/mn for relay output 2 A at 240 V AC resistive load, operating rate = 30 cyc/mn for relay output 2 A at 30 V DC inductive load, operating rate = 30 cyc/mn for relay output 2 A at 30 V DC resistive load, operating rate = 30 cyc/mn for relay output
Mechanical durability	>= 20000000 cycles relay output
Electrical durability	>= 100000 cycles for relay output
Current consumption	36 mA at 5 V DC at state 1 5 mA at 5 V DC at state 0 55 mA at 24 V DC at state 1
I/O connection	Non-removable screw terminal block
Input/Output number	<= 120 with spring terminal block with I/O expansion module <= 152 with HE-10 connector with I/O expansion module <= 88 with removable screw terminal block with I/O expansion module
Supply voltage limits	20.4...28.8 V
Inrush current	<= 40 A
Protection type	Power protection with internal fuse
Power consumption in W	<= 8.7 W
Insulation resistance	> 10 MOhm at 500 V, between I/O and earth terminals > 10 MOhm at 500 V, between supply and earth terminals
Program memory	3000 instructions
Exact time for 1 Kinstruction	1 ms
System overhead	0.5 ms
Memory description	Internal RAM, 128 counters, no floating, no trigonometrical Internal RAM, 128 timers, no floating, no trigonometrical Internal RAM, 256 internal bits, no floating, no trigonometrical Internal RAM, 3000 internal words, no floating, no trigonometrical Internal RAM, double words, no floating, no trigonometrical
Free slots	1
Realtime clock	Without
Counting input number	1 channel(s) at 20000 Hz 32 bits 3 channel(s) at 5000 Hz 16 bits
Analogue adjustment points	1 point adjustable from 0 to 511 points 1 point adjustable from 0...1023
Status LED	1 LED user pilot light (STAT) 1 LED green PWR 1 LED green RUN 1 LED per channel green I/O status 1 LED red module error (ERR)
Depth	2.76 in (70 mm)
Height	3.74 in (95 mm)
Width	3.54 in (90 mm)
Product weight	0.67 lb(US) (0.305 kg)

Environment

Immunity to microbreaks	10 ms
Dielectric strength	1500 V for 1 minute, between I/O and earth terminals 500 V for 1 minute, between supply and earth terminals
Product certifications	CSA UL
Marking	CE
Ambient air temperature for operation	32...131 °F (0...55 °C)
Ambient air temperature for storage	-13...158 °F (-25...70 °C)
Relative humidity	30...95 % without condensation
IP degree of protection	IP20
Operating altitude	0...6561.68 ft (0...2000 m)
Storage altitude	0...9842.52 ft (0...3000 m)
Vibration resistance	0.075 mm, 10...57 Hz mounting on: 35 mm symmetrical DIN rail 1 gn, 57...150 Hz mounting on: 35 mm symmetrical DIN rail

1.6 mm, 2...25 Hz mounting on: plate or panel with fixing kit
4 gn, 25...100 Hz mounting on: plate or panel with fixing kit

Shock resistance	15 gn 11 ms
------------------	-------------

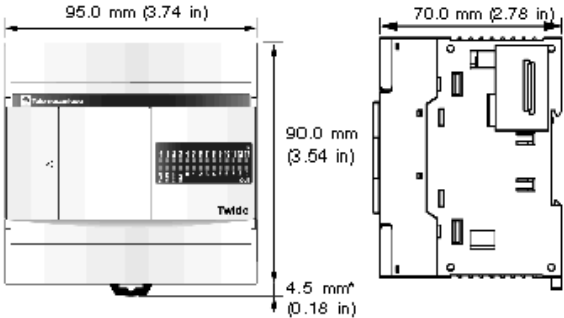
Ordering and shipping details

Category	22531 - PLCS, TWIDO, TWD
Discount Schedule	PC12
GTIN	00785901552444
Nbr. of units in pkg.	1
Package weight(Lbs)	0.9699999999999997
Returnability	N
Country of origin	TW

Contractual warranty

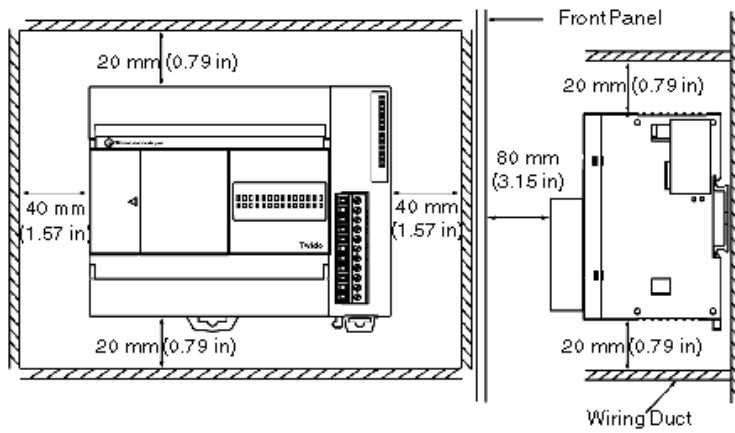
Warranty period	18 months
-----------------	-----------

Dimensions

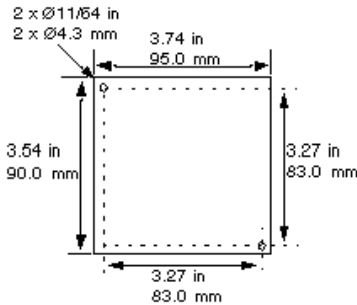


* 8.5 mm (0.33 in) when the clamp is pulled out.

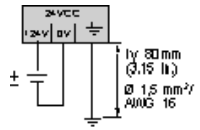
Minimum Clearances for a Compact Base and Expansion I/O Modules



Mounting Hole Layout

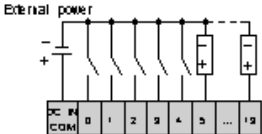


DC Power Supply Wiring Diagram

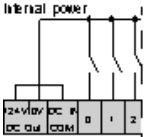


DC Source Inputs Wiring Diagrams

External Power



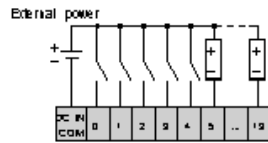
Internal Power



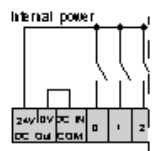
Max current: 250mA.

DC Sink Inputs Wiring Diagrams

External Power

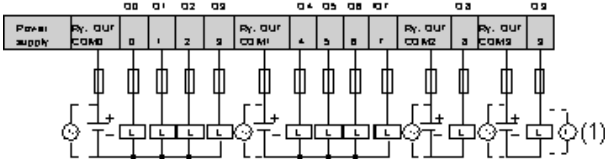


Internal Power



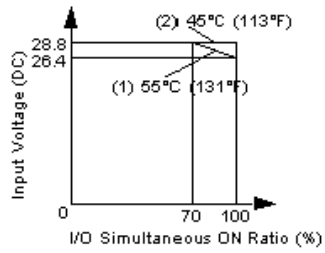
Max current: 250mA.

Relay and Transistor Outputs Wiring Diagram



Performance Curves

I/O Usage Limits



- (1) Limit for TWDLCA•AA16DRF, TWDLCA•A24DRF, TWDLCA•40DRF and TWDLCA•40DRF
- (2) All compact bases

Product Life Status

END OF COMMERCIALIZATION