

Price\* : 87.00 GBP



### Main

Range of product	Altivar
Product or component type	ATV61 braking resistor ATV71 braking resistor
Range compatibility	Altivar 12 Altivar 312 Altivar 61 Altivar 71 Altivar 32 Altivar 31C Altivar 312 Solar Altivar Easy 310
Product compatibility	ATV312H018M2 ATV312H037M2 ATV312H055M2 ATV312H075M2 ATV31C018M2 ATV31C037M2 ATV31C055M2 ATV31C075M2 ATV312H018M3 ATV312H037M3 ATV312H055M3 ATV312H075M3 ATV312HU11M2 ATV312HU15M2 ATV31CU11M2 ATV31CU15M2 ATV31C037N4 ATV31C055N4 ATV31C075N4 ATV31CU11N4 ATV31CU15N4 ATV31CU22N4 ATV31CU30N4 ATV31CU40N4 ATV71W075N4 ATV71WU15N4 ATV71WU22N4 ATV71WU30N4 ATV71WU40N4 ATV12H018F1 ATV12H018M2 ATV12H037F1 ATV12H037M2

Disclaimer: This documentation is not intended as a substitute for and is not to be used for determining suitability or reliability of these products for specific user applications

ATV12H055M2  
ATV12H075M2  
ATV12P037F1  
ATV12P037M2  
ATV12P055M2  
ATV12P075M2  
ATV12H075F1  
ATV12HU15M2  
ATV12H018M3  
ATV12H037M3  
ATV12H075M3  
ATV12P037M3  
ATV12P075M3  
ATV12HU15M3  
ATV12PU15M3  
ATV312HU11M3  
ATV312HU15M3  
ATV312H037N4  
ATV312H055N4  
ATV312H075N4  
ATV312HU11N4  
ATV312HU15N4  
ATV312HU22N4  
ATV312HU30N4  
ATV312HU40N4  
ATV61W075N4  
ATV61W075N4C  
ATV61WU15N4  
ATV61WU15N4C  
ATV61WU22N4  
ATV61WU22N4C  
ATV61WU30N4  
ATV61WU30N4C  
ATV61WU40N4  
ATV61WU40N4C  
ATV61WU55N4  
ATV61WU55N4C  
Variable speed drive ATV310 motor : 1.5 kW  
ATV32H018M2  
ATV32H037M2  
ATV32H037N4  
ATV32H055M2  
ATV32H055N4  
ATV32H075M2  
ATV32H075N4  
ATV32HU11M2  
ATV32HU11N4  
ATV32HU15M2  
ATV32HU15N4  
ATV32HU22N4  
ATV32HU30N4  
ATV32HU40N4  
Variable speed drive ATV310 motor : 2.2 kW  
Variable speed drive ATV310 motor : 3 kW  
Variable speed drive ATV310 motor : 4 kW  
ATV61H075M3  
ATV61H075N4  
ATV61HU15N4  
ATV61HU22N4  
ATV61HU30N4  
ATV61HU30Y  
ATV61HU40N4  
ATV61HU40Y  
ATV61HU55Y  
ATV61HU75Y  
ATV71H037M3  
ATV71H075M3  
ATV71H075N4  
ATV71HU15N4  
ATV71HU22N4  
ATV71HU22Y  
ATV71HU30N4  
ATV71HU30Y  
ATV71HU40N4  
ATV71HU40Y  
ATV71HU55Y

ATV71P075N4Z  
ATV71PU15N4Z  
ATV71PU22N4Z  
ATV71PU30N4Z  
ATV71PU40N4Z

---

Average power available	50 W at 50 °C 58 W at 40 °C
-------------------------	--------------------------------

---

Ohmic value	100 Ohm
-------------	---------

---

### Complementary

---

Electrical connection	<= 1.5 mm <sup>2</sup> terminal (AWG 16) for temperature control switch <= 4 mm <sup>2</sup> terminal (AWG 28) for drive
-----------------------	---

---

Protection type	Thermal protection via drive or temperature control switch at 120 °C
-----------------	--

---

[Ue] rated operational voltage	24 V DC 0.1 A 250 V AC 1 A
--------------------------------	-------------------------------

---

Contact resistance	<= 60 µOhm
--------------------	------------

---

Product weight	1.9 kg
----------------	--------

---

### Environment

---

Ambient air temperature for operation	0...50 °C
---------------------------------------	-----------

---

Ambient air temperature for storage	-25...70 °C
-------------------------------------	-------------

---

IP degree of protection	IP20
-------------------------	------

---

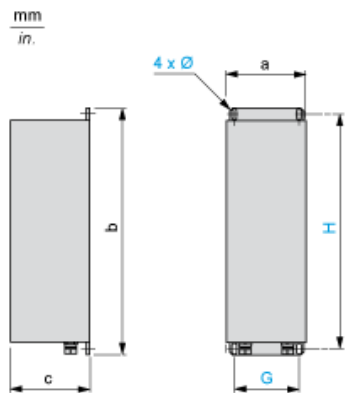
### Contractual warranty

---

Warranty period	18 months
-----------------	-----------

---

Dimensions



Dimensions in mm

a	b	c	G	H	Ø
95	293	95	70	275	6 x 12

Dimensions in in.

a	b	c	G	H	Ø
3.74	11.53	3.74	2.75	10.82	0.24 X 0.47

Clearance

