



### Main

Range of product	Altivar
Product or component type	ATV61 braking resistor ATV71 braking resistor
Range compatibility	Altivar 312 Altivar 61 Altivar 71 Altivar 32 Altivar 31C Altivar 312 Solar Altivar Easy 310
Product compatibility	ATV31CD11N4 ATV31CD15N4 ATV71PD11N4Z ATV71WD11N4 ATV71WD15N4 ATV312HU40M3 ATV312HD11N4 ATV312HD15N4 ATV61WD15N4 ATV61WD15N4C ATV61WD18N4 ATV61WD18N4C ATV312HD11S6 ATV312HD15S6 ATV32HD11N4 ATV32HD15N4 Variable speed drive ATV310 motor : 11 kW ATV61HD18Y ATV61HD22Y ATV61HU30M3 ATV61HU40M3 ATV71HD11N4 ATV71HD15N4 ATV71HD15Y ATV71HD18Y ATV71HU30M3 ATV71HU40M3
Average power available	200 W at 50 °C 231 W at 40 °C
Ohmic value	28 Ohm

Disclaimer: This documentation is not intended as a substitute for and is not to be used for determining suitability or reliability of these products for specific user applications

## Complementary

Electrical connection	<= 1.5 mm <sup>2</sup> terminal (AWG 16) for temperature control switch <= 4 mm <sup>2</sup> terminal (AWG 28) for drive
Protection type	Thermal protection via drive or temperature control switch at 120 °C
[Ue] rated operational voltage	24 V DC 0.1 A 250 V AC 1 A
Contact resistance	<= 60 µOhm
Product weight	3.5 kg

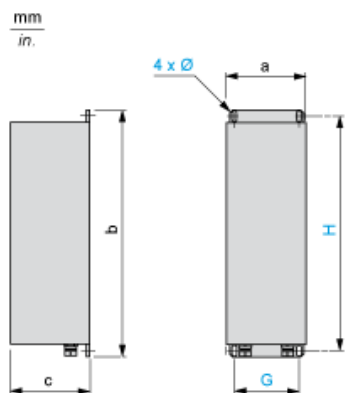
## Environment

Ambient air temperature for operation	0...50 °C
Ambient air temperature for storage	-25...70 °C
IP degree of protection	IP20

## Contractual warranty

Warranty period	18 months
-----------------	-----------

Dimensions



Dimensions in mm

a	b	c	G	H	Ø
140	393	120	120	375	6 x 12

Dimensions in in.

a	b	c	G	H	Ø
5.51	15.47	4.72	4.72	14.76	0.24 X 0.47

Clearance

